

Issue date : 10/6/03

***Rogue M-120
Vacuum Tube Monoblock
Power Amplifier
Owners Manual***



Vacuum Tube Amplifiers

TABLE OF CONTENTS

1) Introduction_____	1
2) Setting up your power amplifier_____	1
3) Operating your power amplifier_____	8
4) Maintenance_____	9
5) If there's a problem_____	10
6) Owner and Warranty Registration Form ____	12
7) Specifications_____	12
8) Warranty_____	13

INTRODUCTION

Congratulations on your purchase decision! We at Rogue Audio truly believe that our amplifiers provide the “smartest” value in high-end audio. If you have never owned a vacuum tube amplifier you will be thrilled by the silky-smooth sound and incredible detail that only a tube amplifier can provide. And with your Rogue Audio amplifier, you can be sure that you are getting the very best in tube amplification. We at Rogue Audio are extremely proud of our products and want you to enjoy them to their fullest potential. So please, take the time to read through this short manual so that you can be confident that you have set up your amplifier properly.

SETTING UP YOUR POWER AMPLIFIER

tools required: phillips head screwdriver and a clean glove or cloth.

WARNING - This amplifier uses voltages that could cause injury or death. Never open the amplifier while it is plugged in, and always wait at least one hour after turning the unit off to unplug and open the unit. Lethal voltages can remain in the electronics after the unit is unplugged.

- 1) *Opening the box* - Carefully remove the amplifier from the box. It is important that you retain the packing material and box in the event that the amplifier ever needs servicing. The packing material and box have been carefully designed to protect your valuable equipment during shipping so you don't want to throw them away!

1) *Remove Shipping Pallet* - The amplifier is shipped attached to a shipping pallet. This pallet serves two purposes. First, and foremost it acts to tie down the mechanically isolated transformer platform. Secondly, it provides strength to the main chassis. Both of these items are critical to ensure that no damage occurs in transit. After removing the amplifier from the box and packing material, CAREFULLY turn the unit upon its side. Remove the 4 thumbscrews and washers. Retain these screws and pallet in the event that the unit ever needs servicing. See Figure 1.

WARNING : Shipping this unit without correctly attaching the shipping pallet can result in serious structural damage to the unit.

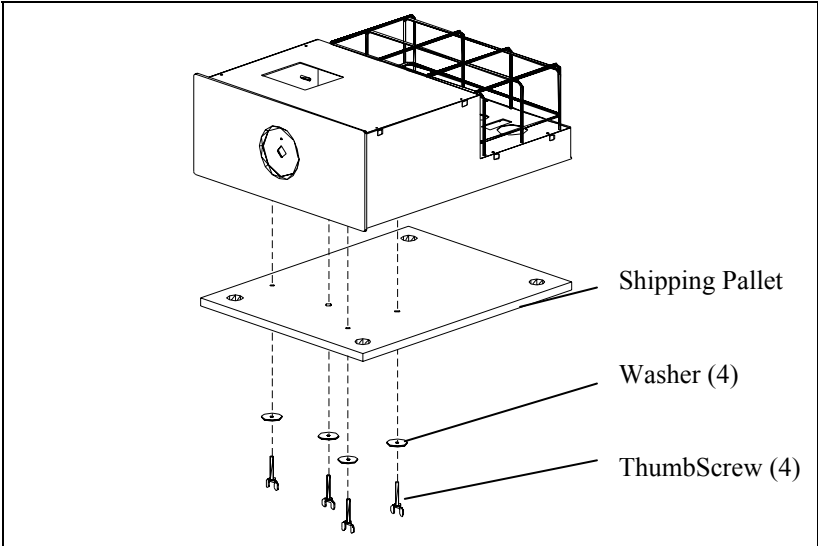


Figure 1

- 3) *Remove Foam Packing* – Carefully remove the foam from under the tube cage at rear of chassis. It is important that you retain the tube packing material in the event that the amplifier ever needs servicing. See Figure 2.

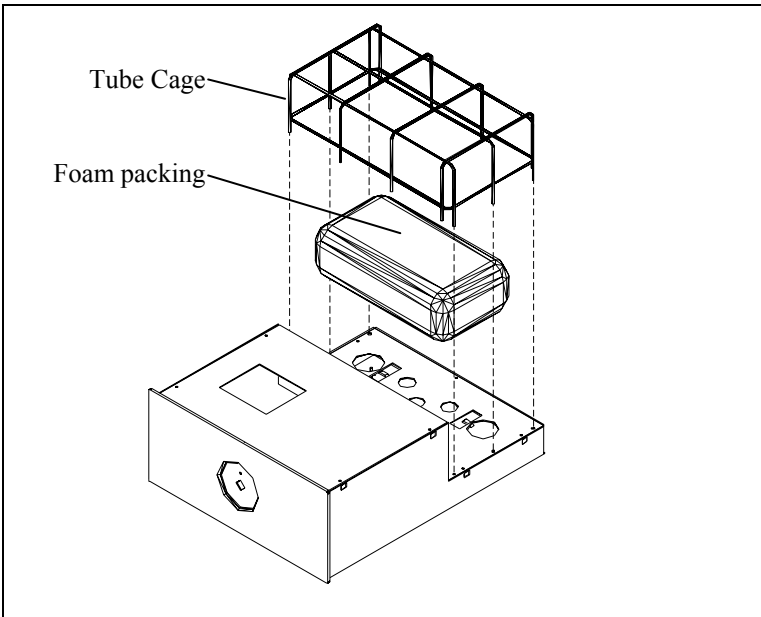


Figure 2

- 4) *Align Tubes* - Using a glove or a clean dry cloth, straighten any tubes that may have tilted during shipment as shown in figure 3. Ensure that tubes are fully seated in their ceramic sockets.

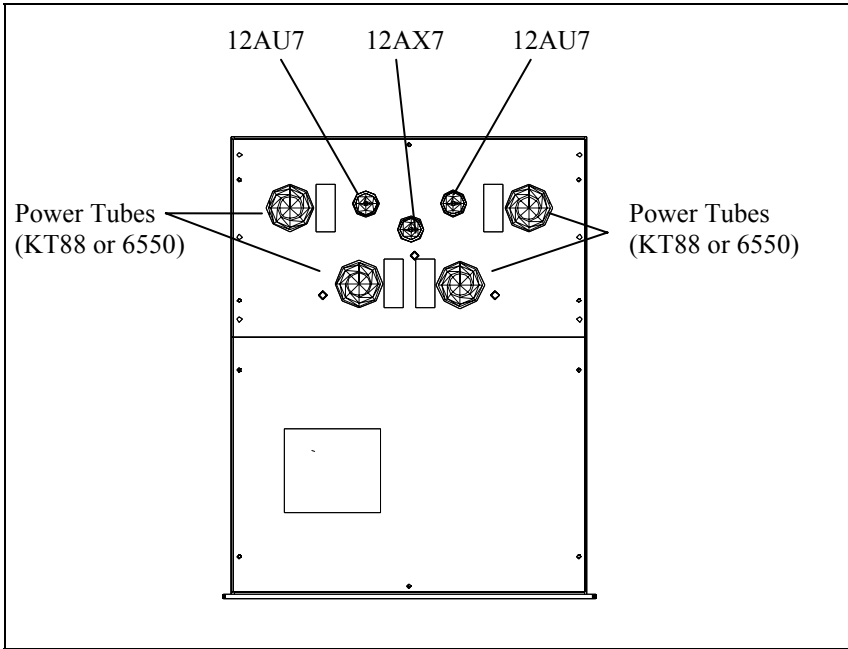


Figure 3

- 5) *Matching Speaker Impedance* - The Rogue M-120 provides separate binding posts positions for both 4 ohm and 8 ohm speakers, as shown in Figure 4. The impedance selected will depend on the speakers used. Consult either the owner's manual for your speaker or your local dealer for the correct choice.

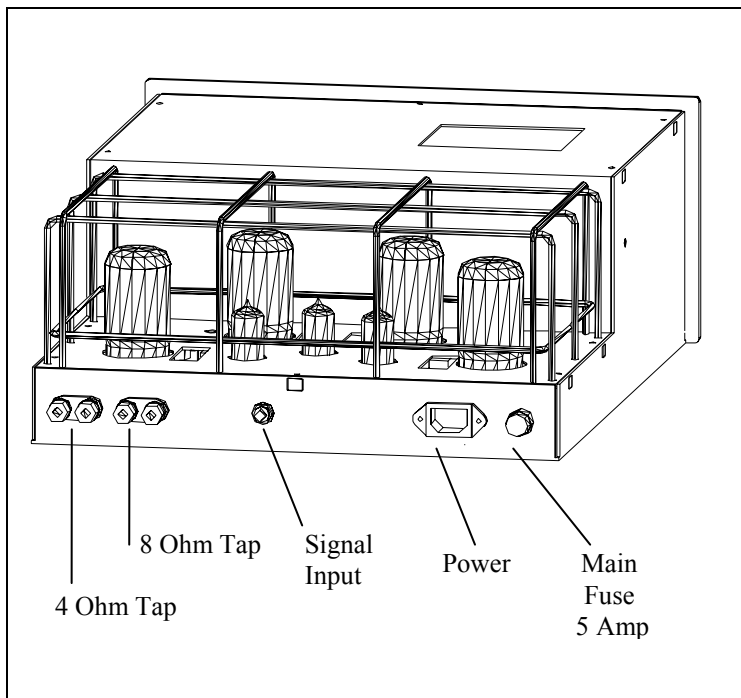


Figure 4

- 8) *Attach Power Cord* - Connect the IEC end of detachable power cord to the amplifier, and plug opposite end into corresponding outlet. See Figure 4.

- 10) *Connections to other components* -. The input connections from the preamplifier are made via RCA jacks on the rear of the amplifier. Be sure to use high quality interconnect cables - they do make a difference. See figure 4.

- 11) *Polarity* - The Rogue M-120 amplifier is a non-inverting amplifier (positive signal in gives positive signal out) so, for best sound, care should be taken to ensure correct polarity at the speaker terminals. If your preamplifier is also non-inverting, then connect the positive (+) outputs of your power amplifier to the positive (+) terminals of the loudspeakers and the negative (-) outputs to the (-) negative loudspeaker terminals. If your preamplifier is inverting, then connect the positive outputs (+) of you power amplifier to the negative (-) loudspeaker terminals, and the negative outputs (-) to the positive (+) loudspeaker terminals. If you are unsure whether your preamplifier is inverting, check the owners manual or contact the manufacturer. If all else fails, try both connections and listen to which sounds better (do this using several different recordings as not all recordings are made with correct phase).

- 9) *Amplifier Location* - The Rogue M-120 amplifier is an open tube design and is designed such that natural convection flow patterns provide cooling as required. This cooling has been designed and tested to ensure long term reliability and safety. Therefore, to ensure proper cooling, the unit should be located in a position so that these air flows are not impeded. Since there are vents on the bottom of the unit, it should always rest on a firm surface to ensure adequate spacing between the resting surface and bottom of unit.

WARNING - To ensure proper cooling, the amplifier should not rest on carpet or other soft surface. In addition, the unit should not be set in an enclosed shelf, and should have a minimum of 6 inches of free space on all sides. Failure to allow proper spacing will cause the unit to overheat.

OPERATING YOUR AMPLIFIER

- 1) *Powering up the system* - First turn on the amplifier by pushing in the “power” button. The red LED will light after several seconds after which the unit is ready for use. Always turn on the preamplifier in the system before the power amplifier and source materials, and always turn off the power amplifier first
- 2) *Breaking in the amplifier* - As with many high-quality audio amplifiers, the sound of the Rogue M-120 amplifier will improve during the first few hours of use. This time is required for components to “burn in.” No special techniques are required other than standard operation.
- 3) *Switching between ultralinear and triode operation* - An important feature of the M-120 monoblocks is that they can be configured for operation in either triode or ultralinear mode. In triode operation the amplifier will produce somewhat less power but may offer a more appealing sound with some speaker/room combinations. To switch operating modes, there is a switch on the rear panel of each monoblock. If the amp is not switched off a small and harmless switching noise will be heard when switching from ultralinear to triode.

MAINTENANCE

The Rogue M-120 has been designed to provide many years of enjoyable and reliable service. The greatest care has been taken to select vacuum tubes that provide superior sound and ensure long life. However, at some point in time, the tubes will wear out. The factory installed tubes should last thousands of hours. Should it become necessary to replace a tube, follow the instructions listed below.

Replace Tubes by :

- 1) Turn off power at switch.
- 2) Wait one hour for dangerous voltages to dissipate.
- 3) Unplug power cord from wall socket.
- 4) Remove the tube cage.
- 5) Using a glove or clean dry cloth, carefully remove the tubes from their sockets - **DO NOT TOUCH ANY OTHER ELECTRICAL COMPONENTS.**
- 6) Obtain and insert a new set of tubes. It is recommended that a new set of tubes be obtained from Rogue. If tubes are obtained from another source, follow the diagram in figure 3 for tube type.
- 7) Insert new tubes in sockets using a glove or cloth. See figure 3 for locations.

No other items in the unit are designed to be user serviceable.

WARNING - This amplifier uses voltages that could cause injury or death. Never open the amplifier while it is plugged in, and always wait at least one hour after turning the unit off to unplug and open the unit. *Lethal* voltages can remain in the electronics after the unit is unplugged.

IF THERE IS A PROBLEM

Below is a checklist of possible solutions if any problems are encountered.

IF THERE IS NO SOUND

- 1) Check that all input and output signal connections are secure.
- 2) Ensure that all tubes are properly seated in sockets.
- 3) Ensure that power cord is seated securely.

IF SOUND DISTORTIONS ARE PRESENT

- 1) Ensure tubes are in proper locations. See Figure 3.
- 2) It is possible that a tube has gone bad. Return the unit to the dealer to the dealer to test the tubes.

IF THERE IS A 50/60 Hz HUM

- 1) Make sure that both amps and the preamp are plugged into the same outlet or power strip.
- 2) Use the circuit ground lift switch on the rear of one or both amplifiers to break a ground loop.
- 3) Unplug all other equipment from the amps and work backwards connecting the preamp, source, etc back in until the source of the hum/ground loop is determined.

If these steps do not clear up the problem, please call Rogue Audio Technical Support on 570-992-9901.

OWNER AND WARRANTY REGISTRATION FORM

Included with this manual is an Owner and Warranty Registration Form. Please take a minute to fill out this card and return it to Rogue Audio.

SPECIFICATIONS

output power	120 WPC
frequency response	5Hz - 50 kHz \pm 3dB
THD	< 0.1%
input sensitivity	1.0 V RMS
dimensions	18 1/4" W x 15 3/4" D x 7" H
weight	42 Lbs
power requirements	115/230V - 50/60Hz

LIMITED WARRANTY

Warranty Period

This product has been manufactured under the highest standards of quality and workmanship. Rogue Audio Inc. (hereinafter “Rogue Audio”) warrants this product against defects in material or workmanship as follows:

With the exception of vacuum tubes, Rogue Audio warrants to the consumer all parts of this product against defects in material and workmanship for a period of three years from the date of retail purchase. Rogue Audio warrants the vacuum tubes for a period of six months from the date of retail purchase. Any defective parts will be replaced free of charge, excluding shipping and handling.

Proof of purchase in the form of a bill of sale or recited invoice which indicates that the product is within the warranty period must be presented to obtain warranty service. Rogue Audio suggests that the purchaser retain the dealers bill of sale as evidence of the date of retail purchase.

What’s Not Covered

This warranty does not cover cosmetic damage or any damage that results from product misuse, product abuse, installation error, connection to an improper voltage supply, accident, improper maintenance, alterations, modifications not authorized in writing by Rogue Audio, lightening, power surges, or acts of God. Use of any other than Rogue Audio factory parts may void this warranty.

This warranty does not cover the cost of parts and labor which would be otherwise provided without charge under this warranty, obtained from any source other than Rogue Audio.

This warranty applies only to consumer use of this product and does not cover any product that is used in any trade or business, or in an industrial or commercial application.

This warranty is valid only in the United States.

YOUR RIGHTS

ROGUE AUDIO LIMITS ITS OBLIGATIONS UNDER ANY IMPLIED WARRANTIES UNDER STATE LAWS TO A PERIOD NOT TO EXCEED THE WARRANTY PERIOD. SOME STATES DO NOT ALLOW LIMITATIONS ON HOW LONG AN IMPLIED WARRANTY LASTS, AND SOME STATES DO NOT ALLOW THE EXCLUSION OR LIMITATION OF INCIDENTAL OR CONSEQUENTIAL DAMAGES, SO THE ABOVE LIMITATIONS OR EXCLUSIONS MAY NOT APPLY TO YOU. THIS WARRANTY GIVES YOU SPECIFIC LEGAL RIGHTS, AND YOU MAY HAVE OTHER RIGHTS WHICH MAY VARY FROM STATE TO STATE.

To Obtain Service

To obtain service, you must contact Rogue Audio and obtain a return authorization number, The product must be delivered to Rogue Audio in its original packaging prepaid at the following address:

**Rogue Audio Inc.
PO Box 1076
3 Marian Lane
Brodheads ville, PA 18322**

THE ROGUE AUDIO MISSION

At Rogue Audio we design and manufacture vacuum tube amplifiers. There is fierce competition in this market and we will only survive by delivering a superior product and superior service - we have the engineering and managerial talent to do so. Our core competencies are electrical, mechanical and production engineering, along with an overarching passion for excellence. These skills will be used to create products that offer outstanding value in the high-end marketplace.

Rogue Audio amplifiers will always be engineered to provide the four key elements of audio value:

- *superior sonics*
- *high quality and reliability*
- *an outstanding appearance*
- *an affordable price*

Our philosophy is simple - We will never design any amplifier that we would not purchase for ourselves.

**Rogue Audio Inc.
PO Box 1076
3 Marian Lane
Brodheadsville, PA 18322**